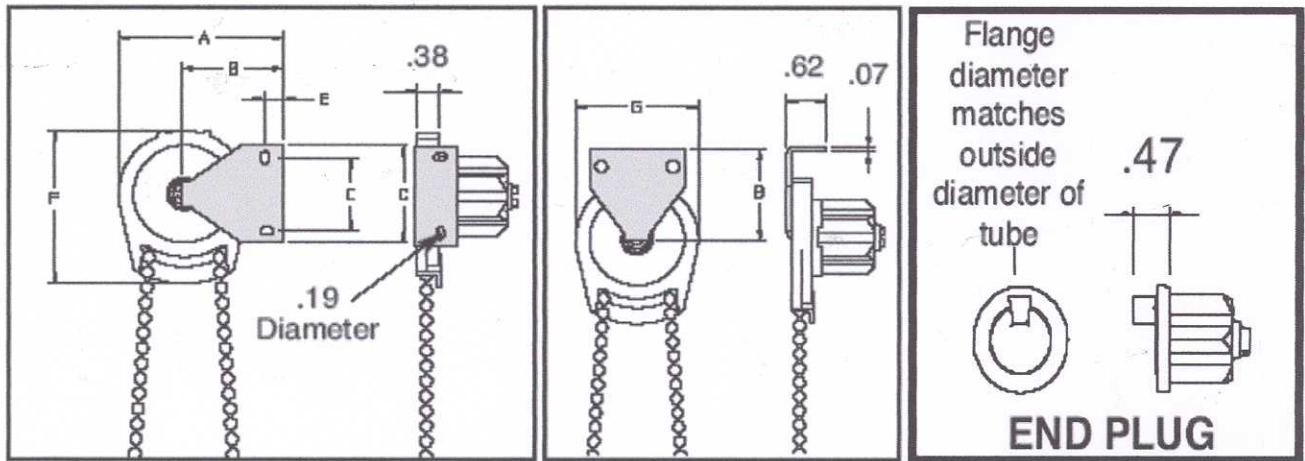


Measurements are in inches



CLUTCH MODEL	TUBE DIAMETER	BRACKET MODEL	A	B	C	D	E	F	G
R8	1.125	360	2.48	1.50	1.06	1.50	0.28	2.35	1.95
		380	2.98	2.00	1.06	1.50	0.28	2.35	1.95
R16	1.50	560	2.95	1.62	2.00	2.50	0.31	3.21	2.65
		580	3.45	2.12	2.00	2.50	0.31	3.21	2.65

R8 Clutch is suitable for shades up to size 65" wide x 84" long.

R16 Clutch is suitable for shades up to 96" wide x 120" long.

Fabric width will be 1 1/2" less than overall width of shade (outside edge of bracket – outside edge of bracket).