

### Brackets & Covers (Projection in inches)

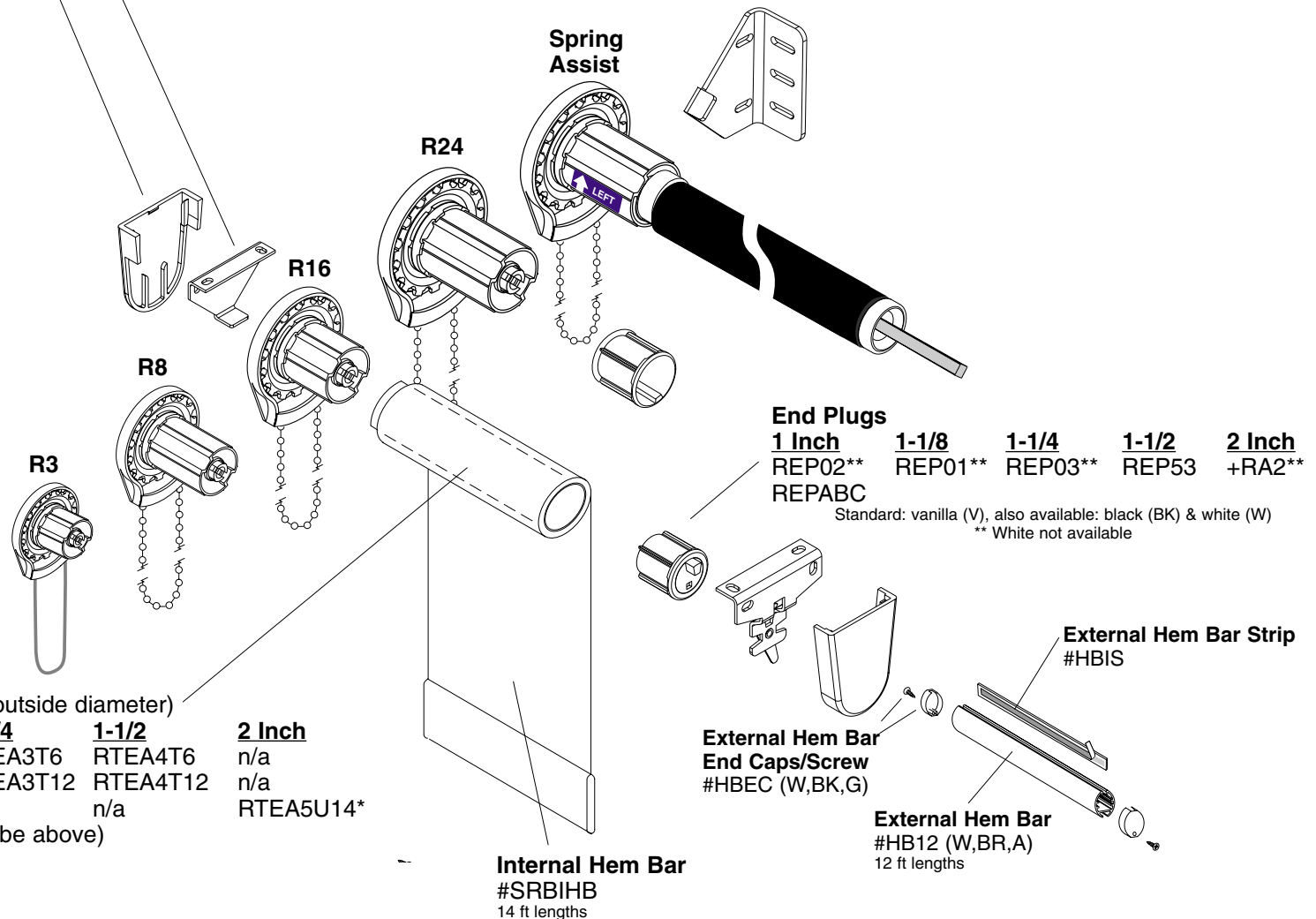
	<u>1.5" Projection</u>	<u>2 Inch</u>	<u>Heavy Duty</u>
<b>R3/R8</b>	RB360*	RB380*	n/a
<b>R3/R8 Bkt Cover</b>	RBPC360(BK,W)	RBPC380(BK,W)	n/a
<b>R16</b>	RB560*	RB580*	RBGAL
<b>R24</b>	n/a	RB580*	RGGAL

\*Standard: nickel plated, also available: black (BK) & white (W)

Tube:	Clutch Part Numbers				
	<u>1" Tube</u>	<u>1-1/8"</u>	<u>1-1/4"</u>	<u>1-1/2"</u>	<u>2"</u>
<b>R-3</b>	R3C02*	R3C01*	n/a	n/a	n/a
<b>R-3 (adjustable)</b>	R3CABC	n/a	n/a	n/a	n/a
<b>R-8</b>	R8C02*	R8C01*	R8C03*	R8C14*	+RA2**
<b>R-16</b>	n/a	n/a	n/a	R16C53*	+RA2**
<b>R-24</b>	n/a	n/a	n/a	R24C53**	+RA2**
<b>Spring Assist</b>	n/a	n/a	n/a	SA24(R/L) (36/45)	+RA2**

\*Standard: vanilla (V), also available: black (BK) & white (W)

\*\* White not available



	<u>Extruded Tube (outside diameter)</u>				<u>2 Inch</u>
	<u>1 Inch</u>	<u>1-1/8</u>	<u>1-1/4</u>	<u>1-1/2</u>	
<b>6'</b>	RTEA1T6	RTEA2T6	RTEA3T6	RTEA4T6	n/a
<b>12'</b>	RTEA1U12	RTEA2U12	RTEA3T12	RTEA4T12	n/a
<b>14'</b>	n/a	n/a	n/a	n/a	RTEA5U14*

\*Tape: #TAPE36 (for taping 2 inch tube above)

