

RollEase Pin End Spring Assist - Fabrication Instructions

Pin-End Spring Assist (PESA) works with manual or motorized systems on shades 8 lbs or less. These instructions are for use with manual clutch systems. The PESA does not require any pre-rotations or any type of set-up, simply install and operate. There is a difference between which PESA to select depending on if you are fabricating a STANDARD ROLL SHADE (fabric rolls off on window side of tube) or a REVERSE ROLL SHADE (fabric rolls off of window side of tube)

www.AV-Outlet.com

1-1/4 Tube

Maximum shade weight shade: 8 lbs.

Maximum Drop: Max drop 96 inches (or 16 tube revolutions)

1-1/2 Tube

Maximum shade weight shade: 16 lbs.

Maximum Drop: Max drop 116 inches (or 16 tube revolutions)

Note: Different fabrics roll and unroll at different rates depending on the fabric thickness, therefore maximum drop length is a provided as a guideline, 16 tube revolutions maximum is a precise figure.

1.) FABRICATE SHADE

PESA does not change the light gap of a shade and therefore deductions remain the same as with regular 1-1/4 and 1-1/2 pin ends.

2.) SELECTING THE CORRECT PIN-END SPRING ASSIST

- A) **Select PESA for your tube size**
1-1/4 inch tube
1-1/2 inch tube
- B.) **Select correct PESA depending (Standard Roll vs Reverse Roll)**

STANDARD ROLL SHADES (most common)

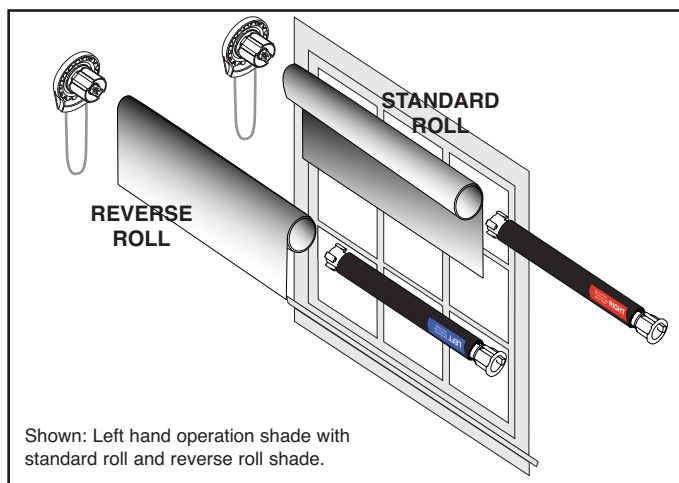
RIGHT-HAND operation shade, you must select a **LEFT PESA**.

LEFT-HAND operation shade, you must select a **RIGHT PESA**.
(see illustration above right)

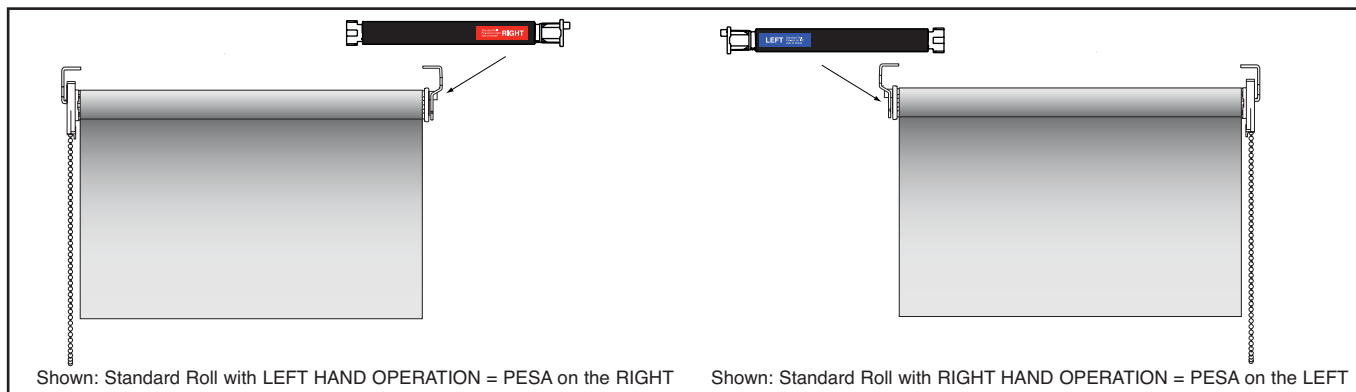
REVERSE ROLL SHADES

RIGHT-HAND operation shade, you must select a **RIGHT PESA**.

LEFT-HAND operation shade, you must select a **LEFT PESA**.
(see illustration above right)



Shown: Left hand operation shade with standard roll and reverse roll shade.



3.) INSERT INTO TUBE

PESA's should only be inserted when shade fabric is already rolled all the way onto the tube. The PESA is designed so that when the shade is lowered, the downward operation of the shade put tension in the spring. The starting point for tensioning is when the shade is in the all-the-way-up position.

NOTE: If the PESA is inserted in any other configuration (such as unrolled or not the correct PESA for standard versus reverse roll), it is likely that the PESA will be wound in the incorrect direction and permanent damage or failure of the PESA may occur.

4.) INSTALL AS USUAL

The shade is installed as usual. Shade should be fully rolled onto tube when installed. (Do not hand un-roll shade before installation and operate shade to roll fabric back onto tube; this will improperly wind the spring.)

Note: Use of stop balls is encouraged; repeated raising of the shade to its maximum point and continuing until the shade hem bar flips over the tube puts undesirable rotation into the spring and may lead to permanent damage or failure.