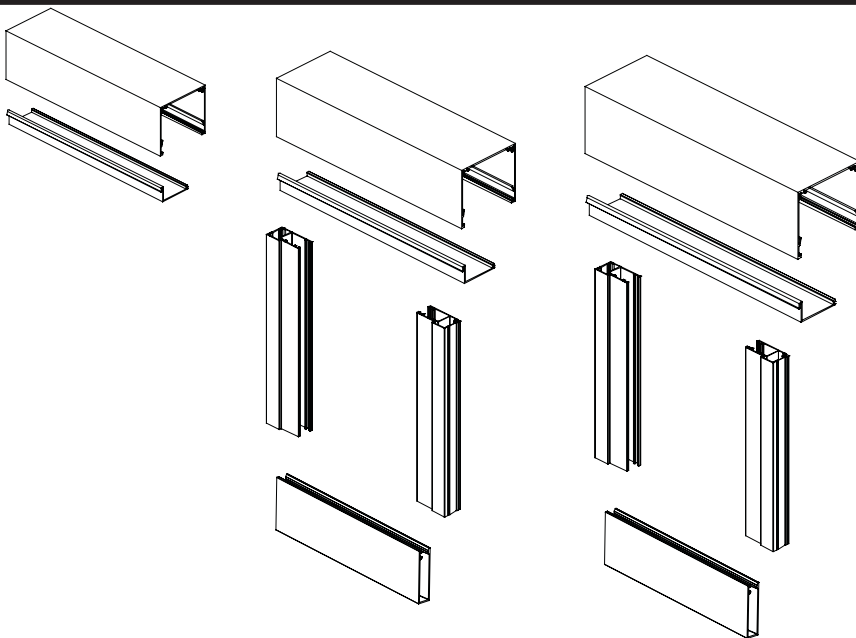
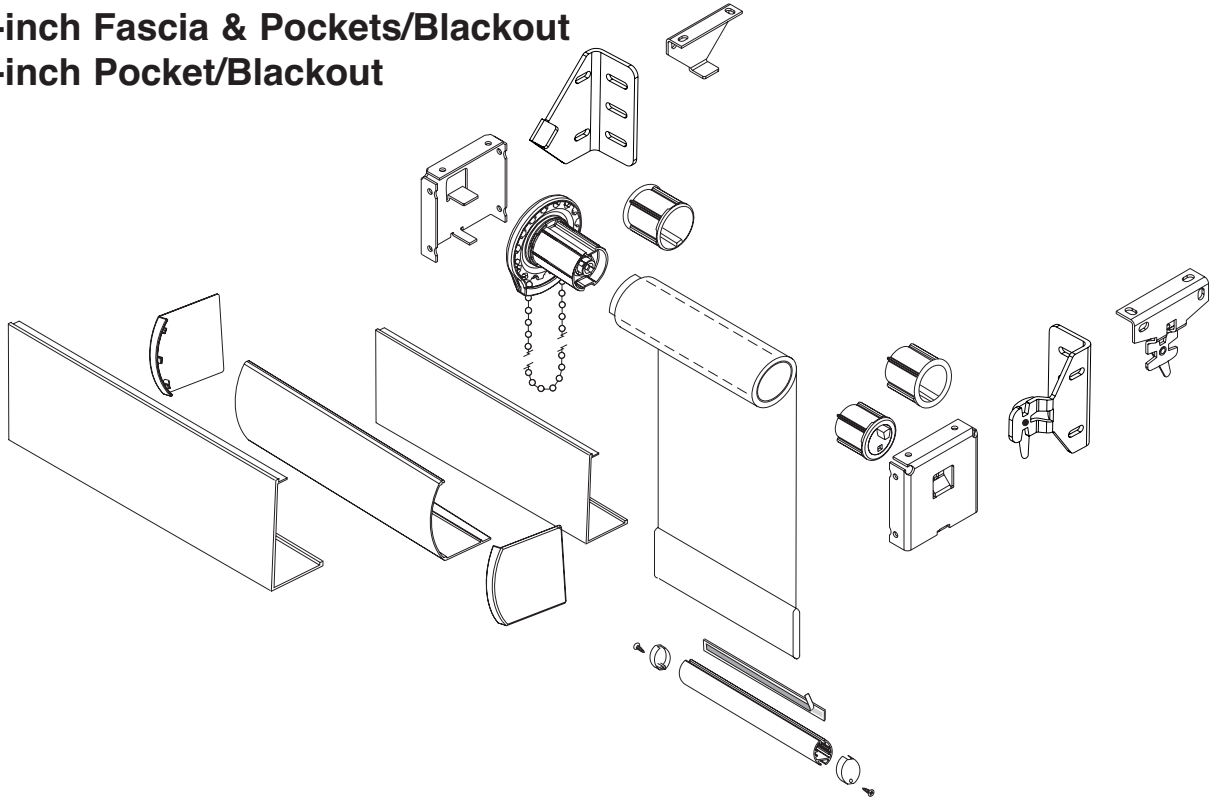
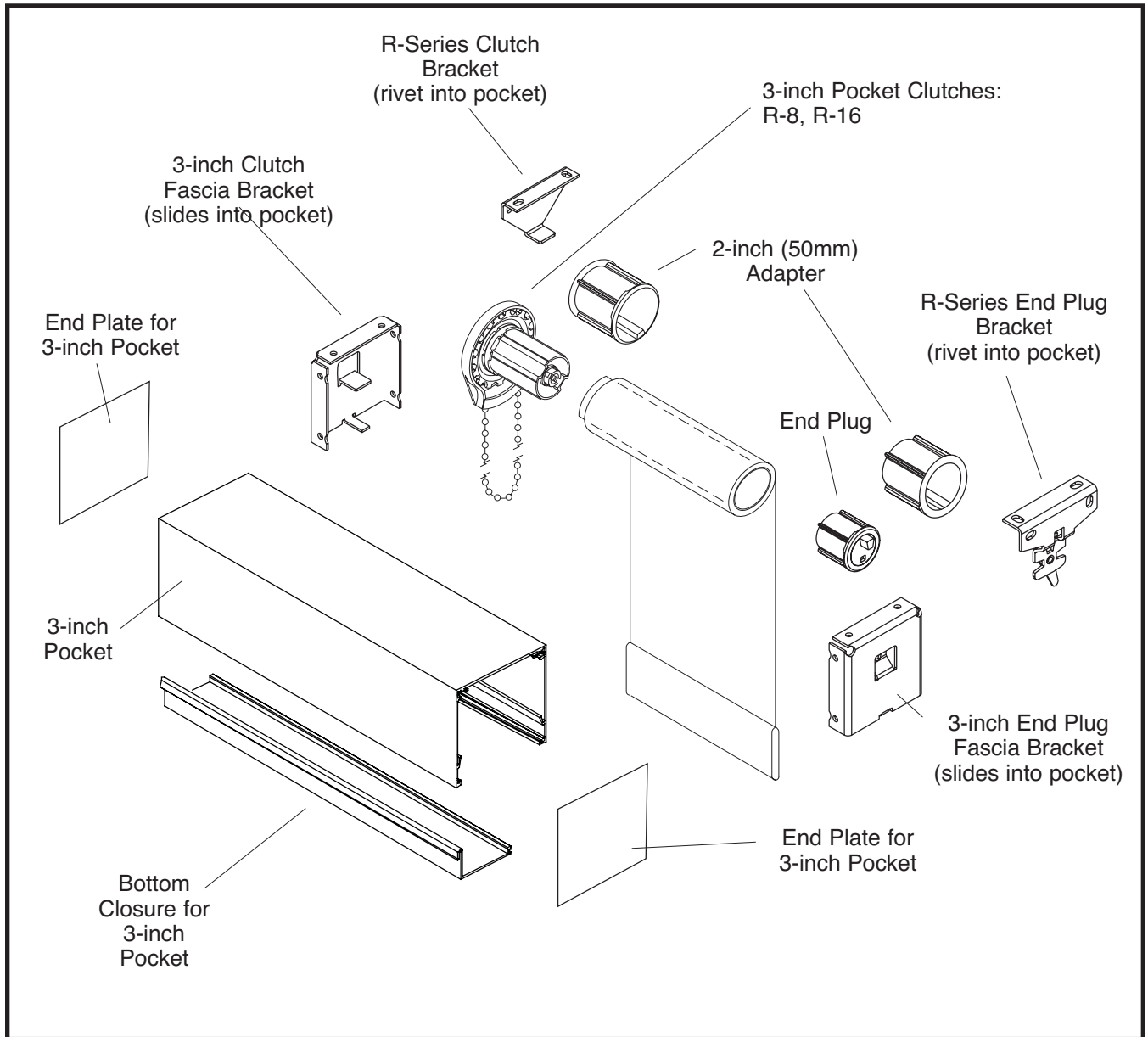


Contract Series™ Overview:

- Clutches
- Standard Brackets
- 3-inch Fascia & Pockets
- 4-inch Fascia & Pockets/Blackout
- 6-inch Pocket/Blackout



3-inch Pocket System



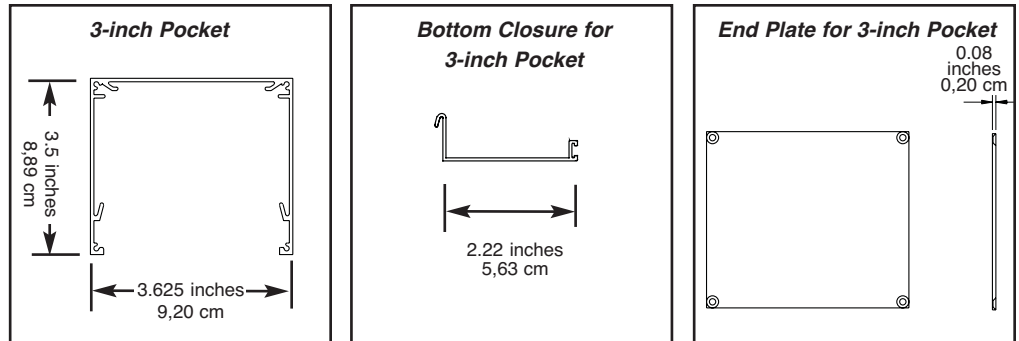
3" Pocket Max Roll Size 2.40 inches

Sunscreen Fabric	Max Drop
ShearWeave [®] 2000 on 1.25" tube	168"
ShearWeave [®] 2000 on 1.50" tube	144"
ShearWeave [®] 4000 on 1.25" tube	84"
ShearWeave [®] 4000 on 1.50" tube	72"

Note: The roll size calculation does not take into consideration tube deflection.

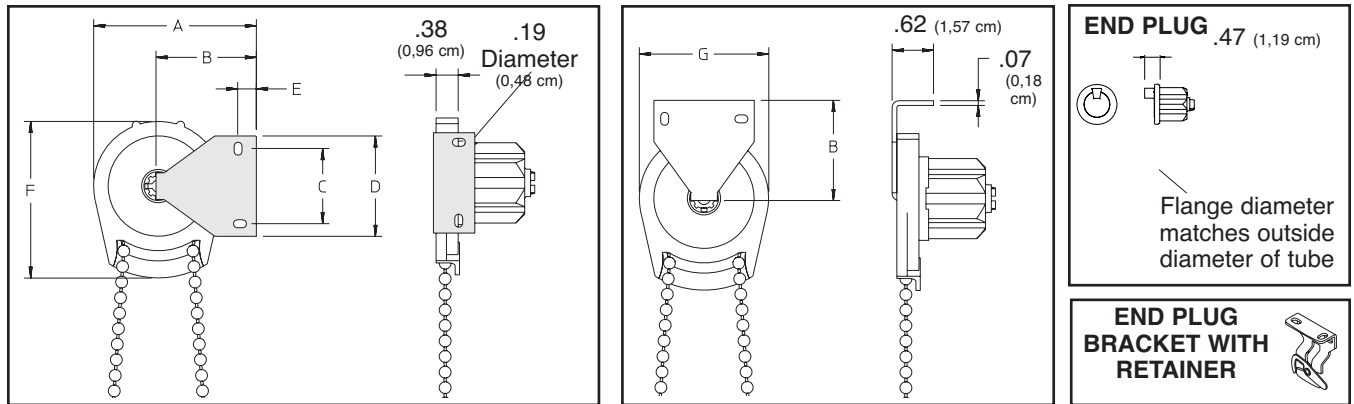


3-inch Pocket Component Dimensions



Dimensions shown conform to aluminum extrusion industry standards for tolerances.

R-Series Standard Bracket Configuration



CLUTCH MODEL	BRACKET MODEL	A	B	C	D	E	F	G
R8	360	2.48	1.5	1.06	1.5	0.28	2.35	1.95
	380	2.98	2.0	1.06	1.5	0.28	2.35	1.95
R16	560	2.95	1.62	2.0	2.5	0.31	3.21	2.65
	580	3.45	2.12	2.0	2.5	0.31	3.21	2.65

Measurements in inches (Centimeters: multiple by 2.54)

A	B	C	D	E	F	G
6.29	3.81	2.69	3.81	0.71	5.97	4.95
7.57	10.16	2.69	3.81	0.71	5.97	4.95
7.49	4.11	5.08	6.35	0.79	8.15	6.73
8.76	5.38	5.08	6.35	0.79	8.15	6.73

Measurements in Centimeters

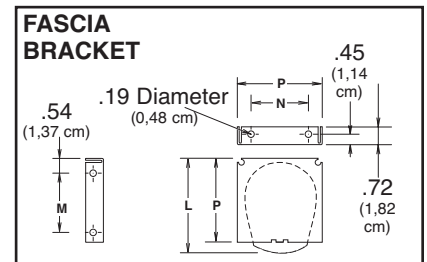
R-Series Standard Fascia Bracket Configuration

CLUTCH MODEL	BRACKET MODEL	L	M	N	P
R8	361	3.31	2.08	1.93	3.0
R16	561	3.35	2.08	1.93	3.0

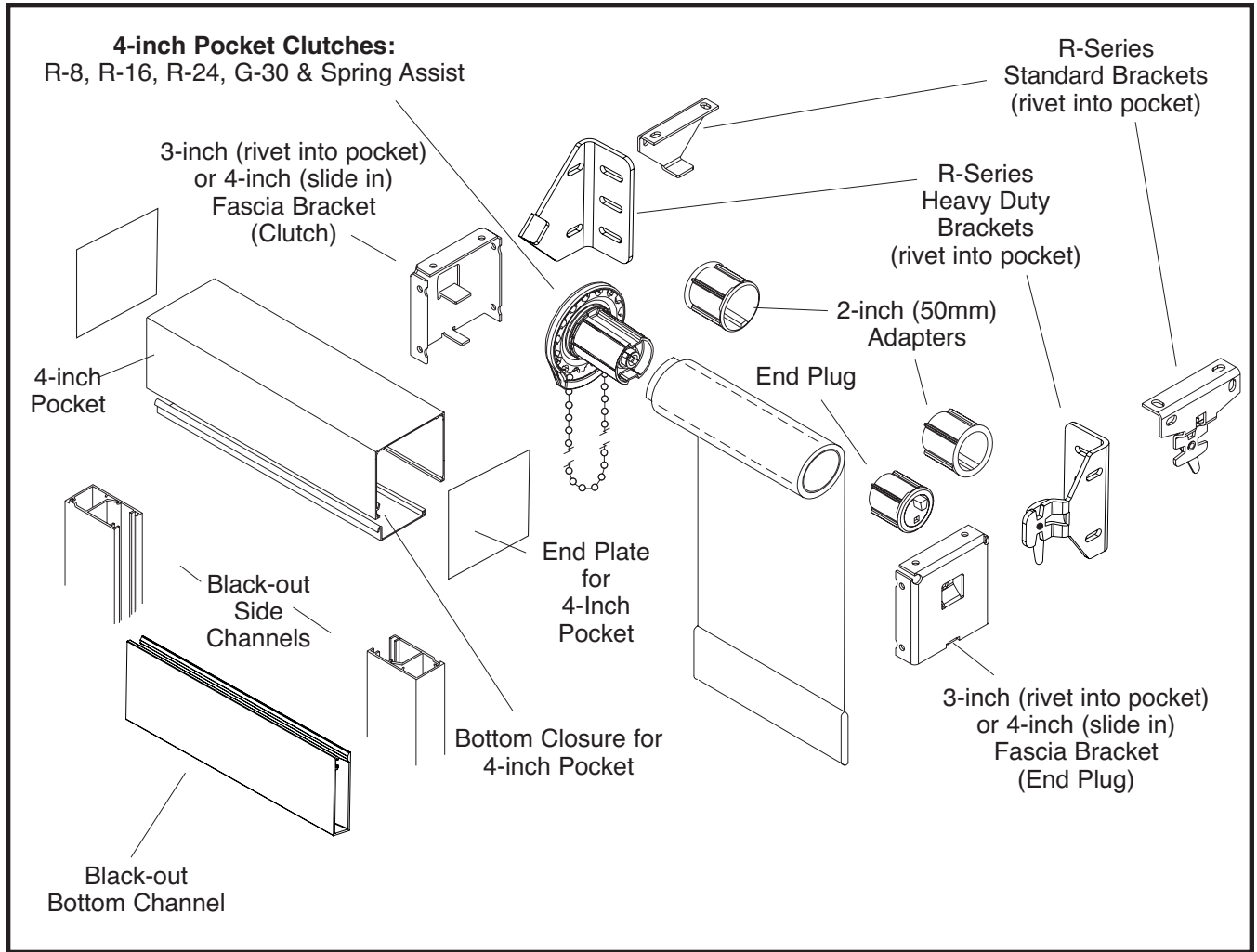
Measurements in inches

L	M	N	P
8,4	5,28	4,9	7,62
8,5	5,28	4,9	7,62

Measurements in Centimeters



4-inch Pocket & Blackout System

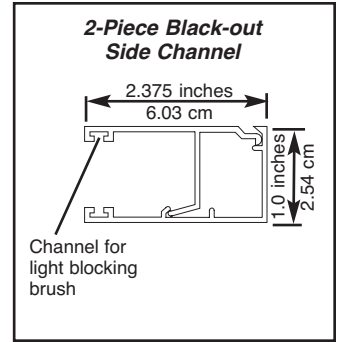
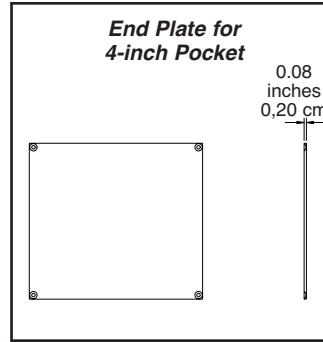
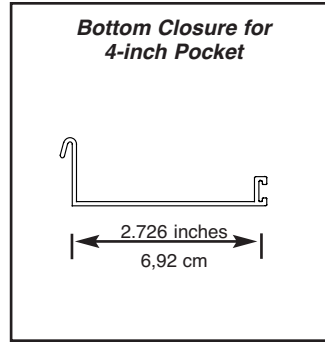
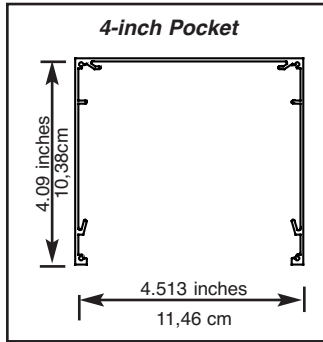


4" Pocket Max Roll Size 3.40 inches

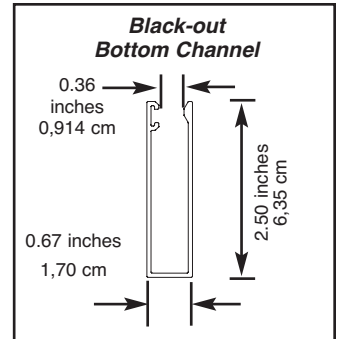
Sunscreen Fabric	Max Drop
ShearWeave® 2000 on 1.50" tube	over 192"
ShearWeave® 2000 on 2.00" tube	over 192"
ShearWeave® 4000 on 1.50" tube	180"
ShearWeave® 4000 on 2.00" tube	144"

Note: The roll size calculation does not take into consideration tube deflection.

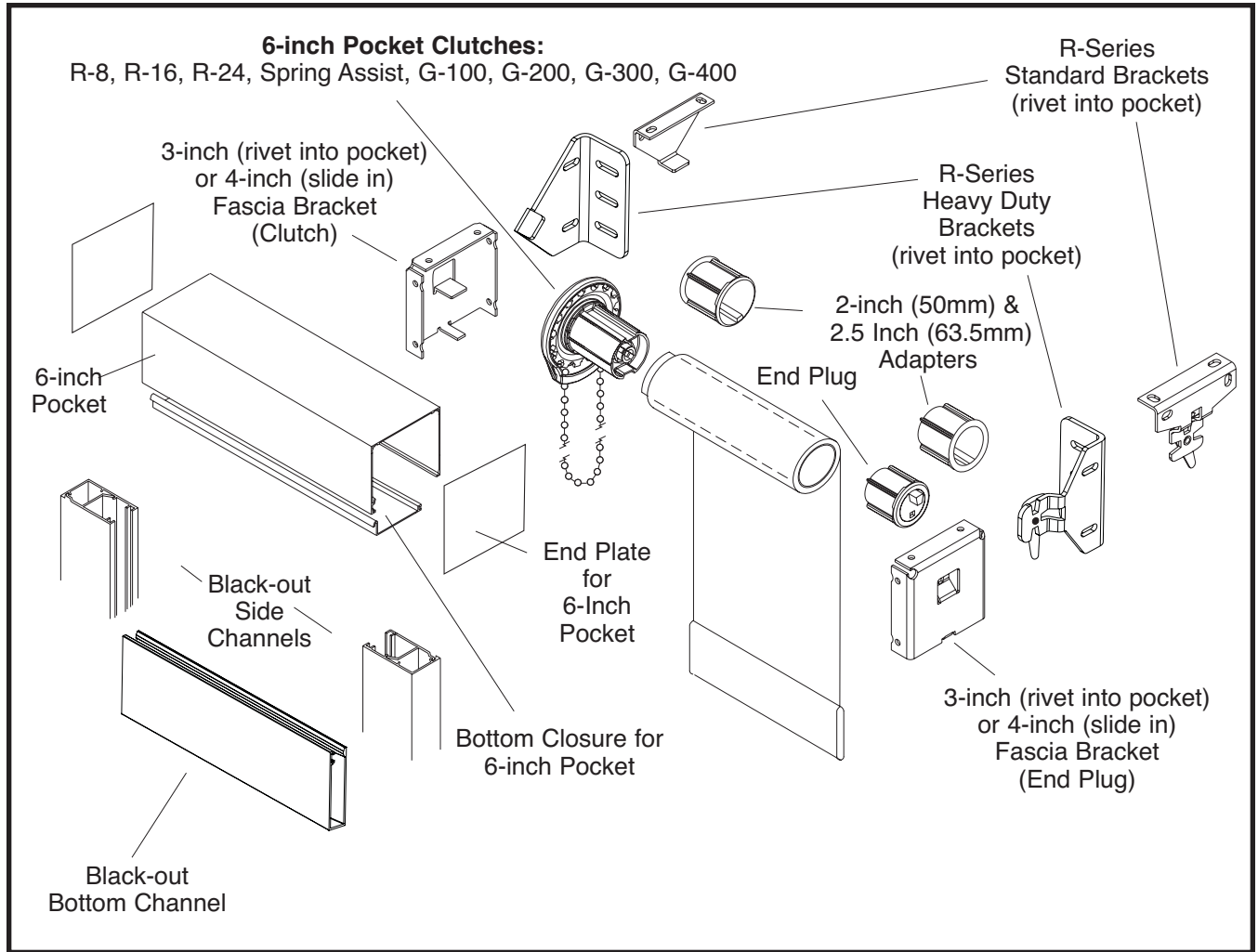
4-inch Pocket Component Dimensions



Dimensions shown conform to aluminum extrusion industry standards for tolerances.



6-inch Pocket & Blackout System



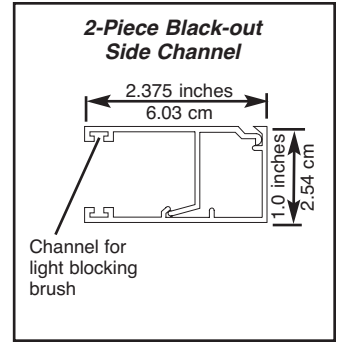
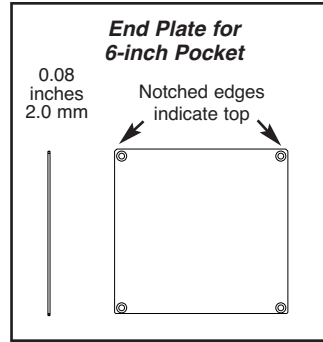
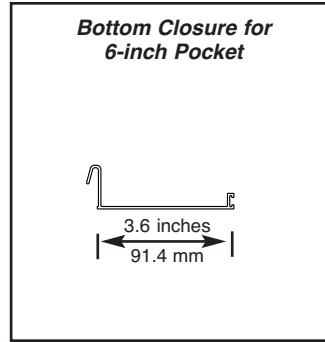
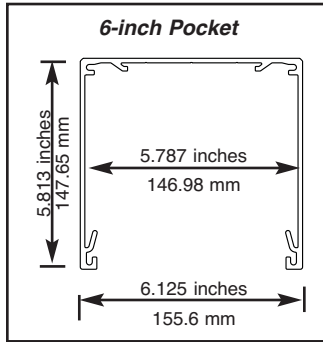
6" Pocket Max Roll Size 5.0 inches

Sunscreen Fabric	Max Drop
ShearWeave® 2000 on 1.50" tube ShearWeave® 2000 on 2.00" tube	over 240" over 240"
ShearWeave® 4000 on 1.50" tube ShearWeave® 4000 on 2.00" tube	over 240" over 240"
ShearWeave® 4000 on 2.50" tube	360"
ShearWeave® 4000 on 3.0" tube	318"

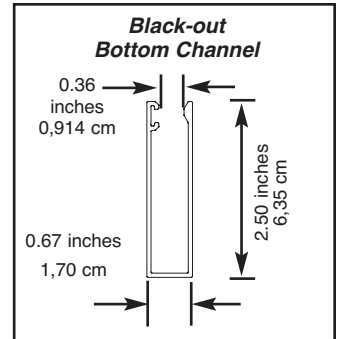
Note: The roll size calculation does not take into consideration tube deflection or weight versus width issues.



6-inch Pocket Component Dimensions



Dimensions shown conform to aluminum extrusion industry standards for tolerances.



Black-out Notes

Note 2- The $\frac{3}{16}$ inch pocket deduction allows $\frac{1}{8}$ inch for the two end plates and $\frac{1}{16}$ inch clearance. Be sure that this will fit the window. If not make adjustments accordingly.

Note 3- The front Side Channels must be notched when fabricating a manual shade only. *Be sure to notch as a pair! The notch should be $\frac{1}{4}$ inch down and $\frac{9}{16}$ inch in from the back edge. This notch is required to eliminate light penetration over the top of the front Side Channel. You will need one left and one right side channel.

Note 3A- Side Channels can't be used with R-24 clutch

Note 4- The bottom channel does NOT get light block.

Note 5- The hembar must be internal and be no more than $\frac{3}{16}$ inch thick. The RollEase hembar works with all solar and blackout fabrics.

*Hembar must be internal and be no more than $\frac{3}{16}$ inch thick.
(~~use RollEase hembar, part number SRBIHB~~).*

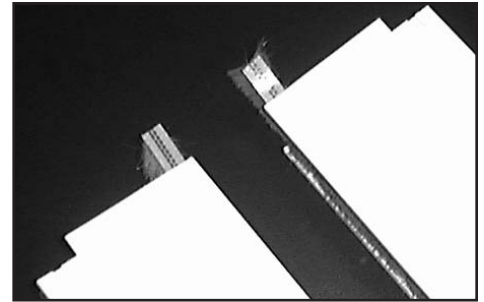
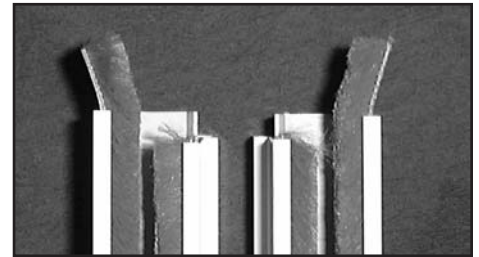


Figure 1 (Notched side channels)



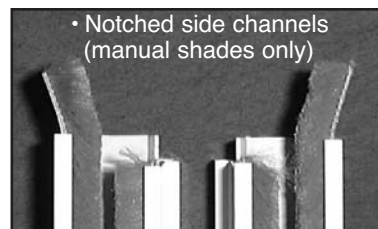
Black-out Assembly & Installation

See detailed roller shade fabrication and installation instructions in addition to these blackout instructions;

Steps 1-3 should be completed before going to the installation site.

*Hembar must be internal and be no more than $\frac{3}{16}$ inch thick.
(use RollEase hembar, part number SRBIHB).*

- 1. Install light block:** When installing light blocking brush in side channels (notched* and sized) be sure to secure both top and bottom. A small amount of "Crazy Glue" goes a long way; you may also crimp the extrusion to secure the light blocking brush. The front channel should have $\frac{1}{2}$ inch of light block extending past the end of the channel and bent slightly back. This acts as a guide to keep the fabric from rubbing on the side channel and guides the fabric into the side channel track.
- 2. Attach End Plates:** Attach the End Plates to the Ceiling or Recessed Pocket.
- 3. Attach Brackets:** Rivet or screw the Manual or Motorized Brackets to Ceiling Pocket or Recessed Pocket. Be sure that the fastening will not interfere with the operation of the shade or components.



Side channel installed with pocket

Steps 4-9 are done at the installation site.

- 4. Install the pocket into the desired location.**
- 5. Install Side Channel Backs:** Install the back side of the side channels only. Back side channel should abut the pocket, flush with the end plate. Screw the back side channel directly into the window jam.

For a single steel tube, multiple band, manual shade greater than 10 ft. in length, you can use our more rigid 1.5 inch manual tube with spline groove (part number: SRCAT)

- 6. Install the shade.**
- 7. Check the fit of the pocket bottom closure.**
- 8. Install Side Channel Fronts:** With the shade in the full up position, snap on the front face of the side channels.
- 9. Install the bottom channel.** If desired a thin double face tape can be used on the bottom channel to secure the channel to the window sill. This will assure a light seal without damaging the sill. The bottom channel does not get light block inserted.

