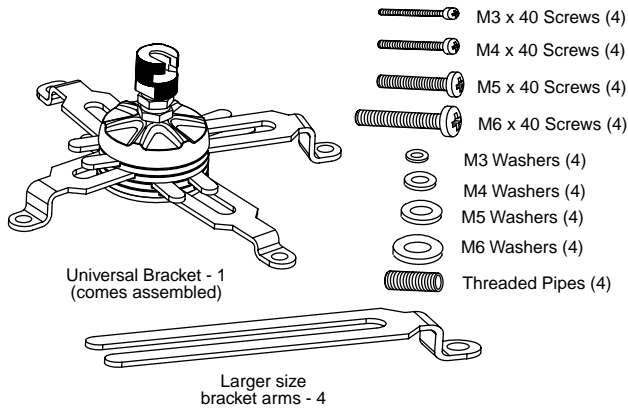


Installation Instructions Aero Universal Projector Bracket for LCD/DLP Projectors by Draper

Caution

- ① Read instructions through completely before proceeding.
- ② Follow instructions carefully. Installation contrary to instructions invalidates warranty.
- ③ Do not overtighten screws into projector. If screw is hitting the end of the threaded hole, add more washers at the top of the screw.

Parts/Hardware List



Attaching Aero Universal Mounting Bracket to Projector

- ① Place the Aero Universal Projector Mounting Bracket over projector mounting holes. If bracket arms cannot reach all mounting holes, loosen bracket by unscrewing centerpiece, and replacing bracket arms with longer size arms (included).

Please Note: Open ends of bracket arms should be at least flush with the outer edge of the centerpiece; if open ends are not flush, use longer arms.

- ② Insert and adjust threaded pipe so that, when they are flush with the surface of the projector, the universal bracket is horizontally level.
- ③ Insert and tighten screws (provided) appropriate for projector mounting holes (see Fig. 1).

Please Note: Do not overtighten screws into projector. If screw is hitting the end of the threaded hole, add more washers at the top of the screw.

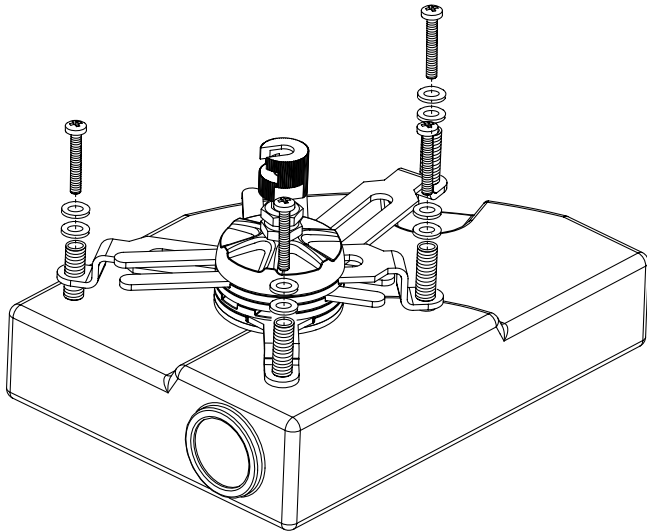


Figure 1

- ④ Adjust the centerpiece so that it is above the projector's center of gravity, and tighten centerpiece.

Please Note: To figure center of gravity, see "Determining Projector's Center of Gravity," below.

- ⑤ Tighten lower locking nut (see Fig. 2)

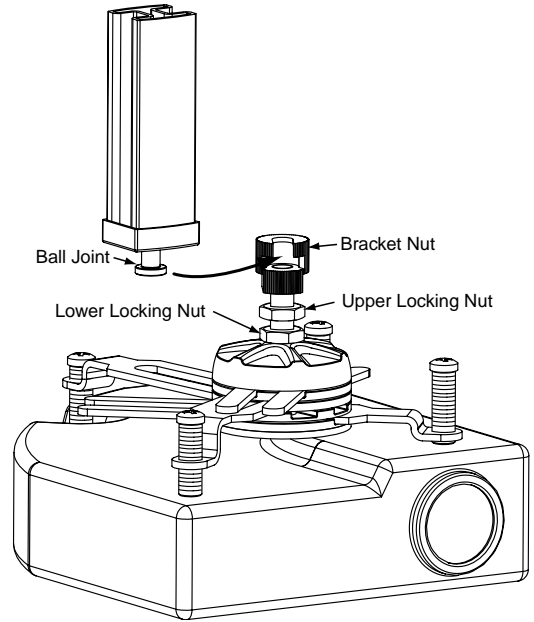


Figure 2

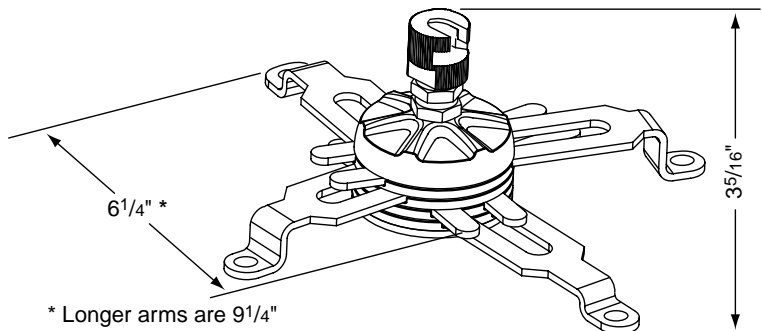
Attaching Aero Universal Mounting Bracket to Aero or Aero Accuset Mount

- ① Mount the Aero Mount or Aero Accuset Mount for LCD/DLP Projectors using instructions provided.
- ② Place the mount ball joint into the slot in the nut (see Fig. 2).
- ③ Tighten the nut.
- ④ Tighten the upper locking nut (see Fig. 2)

Determining Projector's Center of Gravity

- ① Place small level on projector.
- ② Hold projector by top of bracket nut and make sure the projector hangs level.
- ③ Adjust the Aero Universal Projector Bracket by sliding the centerpiece along the arms until the projector hangs level.
- ④ Tighten centerpiece.

Aero Universal Projector Mounting Bracket—Dimensions



Please Note: This is total height of Aero Universal Projector Bracket. Once attached, Universal Bracket actually adds a minimum of 3" to overall mount size.

DRAPER

411 S. Pearl St., Spiceland, IN 47385 USA ■ 765-987-7999 ■ fax 765-987-7142
 e-mail draper@draperinc.com ■ www.draperinc.com

Copyright © 2003 Draper, Inc. Form AeroUniversalProjector_Inst03 Printed in U.S.A.

If you encounter any difficulties installing your Aero Universal Projector Bracket, call your dealer or Draper, Inc., Spiceland, Ind., (765) 987-7999; fax (765) 987-7142; or e-mail draper@draperinc.com.