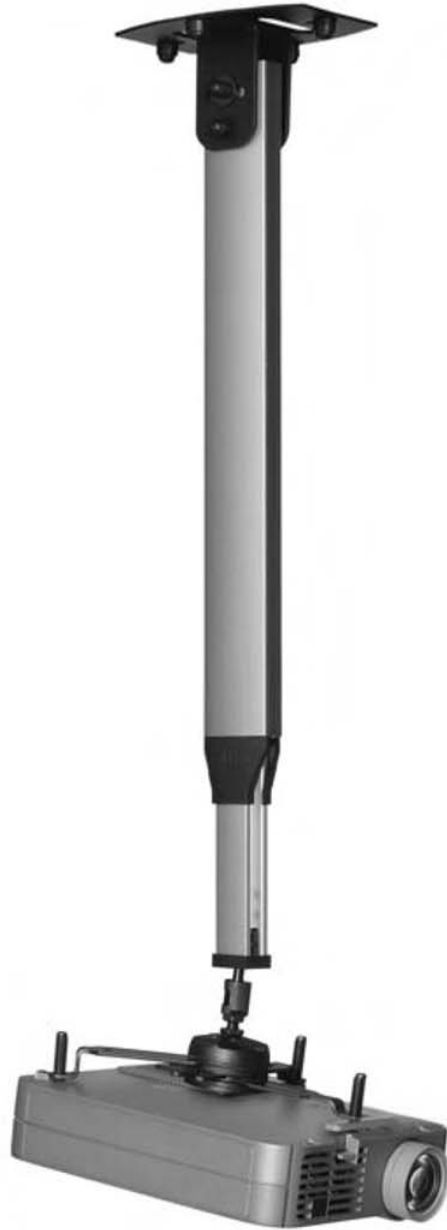
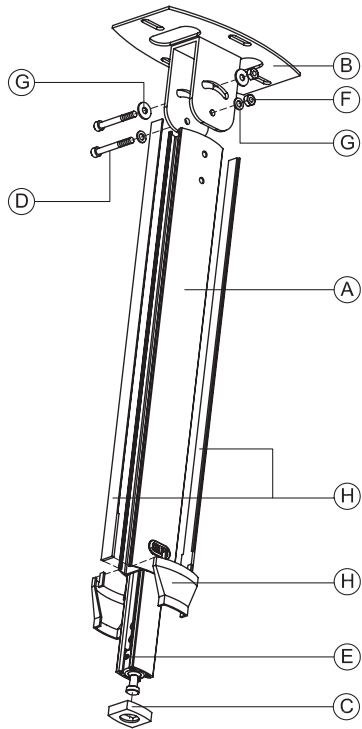


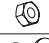




SMS PROJECTOR CLV

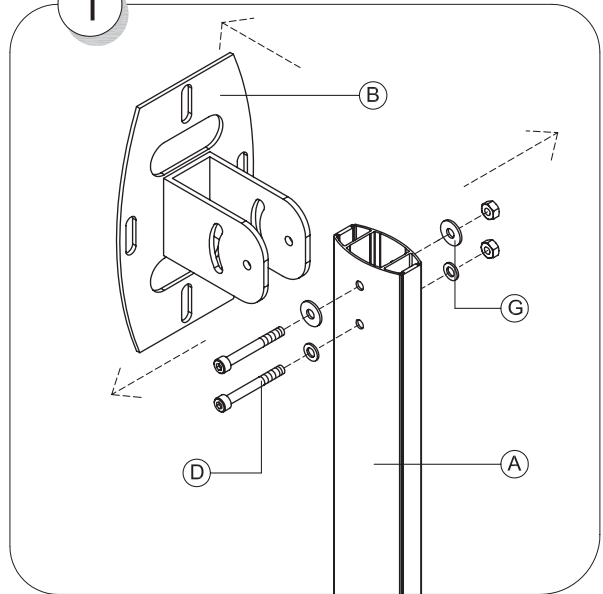




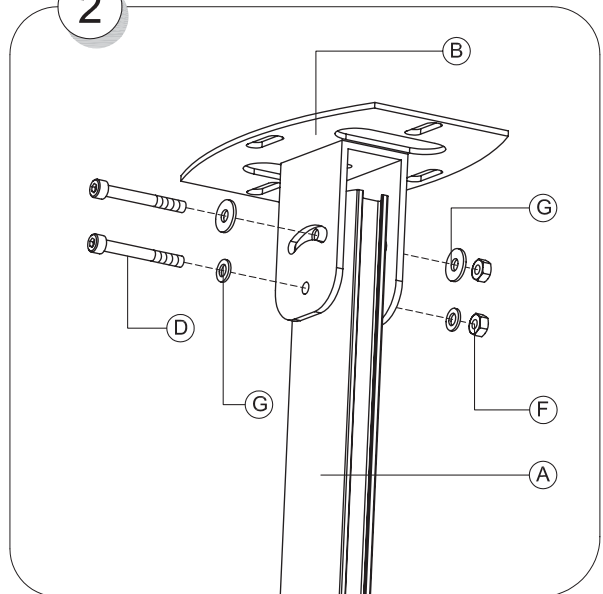
Contents

A.	SMS Aero main body		1
B.	Ceiling plate		1
C.	Cap		1
D.	Screws M6x50		2
E.	Screws M5x10		2
F.	Nut M6		2
G.	BRB 6,4 + NB 6x25		2+2
H.	Plastic Covers+Plastic list		2+2
I.	Allen Keys		3
J.	Unislide Projector (Not included)		
K.	Ceiling Screws & washers (Not included)		

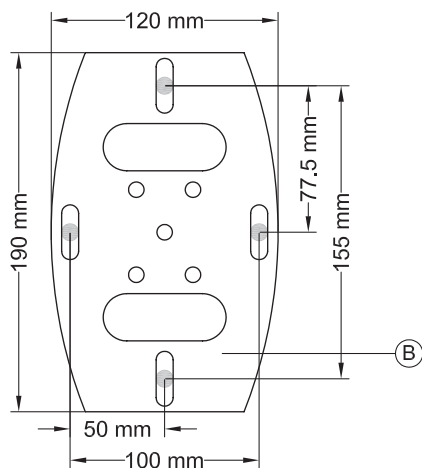
1



2



Holes Pattern SMS Projector CL V Ceiling Plate



3

