

INSTRUCTIONS
12 Step 70W VC w/IR Impedance & Non-Impedance
Infrared Stereo Volume Control



Model: VCIR70DSW
SKU# .10258

Features:

- Infrared stereo volume control with selectable impedance and non-impedance matching- 1x, 2x, 4x, 8x
- Covers prepackaged with decorator white plates. (Optional color kit plates available in ivory, almond and brown)
- Power handling: 70 watts per channel RMS
- 12 step Volume Control
- Removable connectors accommodate 14 – 22 gauge wire
- Two sided terminal connector



Instruction

1. Remove about 1/4" of insulation from the ends of all wires to be connected to the volume control and twist the exposed strands.
2. Loosen the set screws on the volume control connecting blocks.
3. Connect the leads from AMPLIFIER to the set screws on the volume control labeled INPUT, with the LEFT L(+) and L(-) and RIGHT R(+) and R (-) wires inserted in the appropriately marked opening. Tighten the screws firmly.
4. Connect SPEAKER wires to the set screws on the volume control labeled OUTPUT, observing + (positive) and - (negative) polarity of left and right speaker.
5. Set up the completed assembly in the junction box. Insert carefully to avoid excessive strain on the set screws. If necessary, pre-dress the wires for easiest mounting.
6. For setting up IR receiving – release screw of connector, insert wires respectively for connection, then tighten the screws firmly.
 - " V+" - 12VDC power;
 - " G " - Grounding;
 - "ST " - Status (IR receiving confirmation);
 - "IR " - IR signal
7. Mount VC into wall box. Insert carefully to avoid excessive strain on these screws.
8. Screw on trim plate and attach knob.

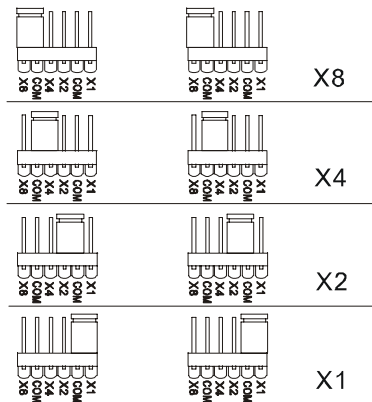
Caution: Be careful not to allow speaker wire strands to short out against case or other speaker wire.

Volume set at maximum

Impedance jumper settings to match back to 8Ω at amplifier				
SPEAKER OHMS (Ω)	1X	2X	4X	8X
8	1 PAIR	2 PAIR	4 PAIR	8 PAIR
4	-	1 PAIR	2 PAIR	4 PAIR

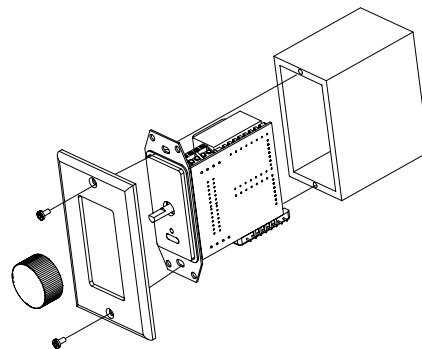
Impedance jumper settings to match back to 4Ω at amplifier				
SPEAKER OHMS (Ω)	1X	2X	4X	8X
8	2 PAIR	4 PAIR	8 PAIR	16 PAIR
4	1 PAIR	2 PAIR	4 PAIR	8 PAIR

Jumper settings



Assembly diagram

Mounting depth: 2.95" (75mm) from finished wall.



DirectConnect® products are manufactured in accordance with our rigorous and exact specifications, are thoroughly inspected, and meet or exceeds the Underwriters Laboratories Inc. (UL) verification of performance where applicable. The specifications for this product and the specific country of origin for this product are available upon request. As a result, **DirectConnect** fully guarantees our ir products for five (5) year from the date of purchase, against all defects in material and workmanship. During the 5-year period, **DirectConnect** will replace defective product without charge provided it was installed under industry standard installation practices and not subject to misuse or abuse. Specifically, this warranty is subject to the following additional conditions and limitations: the warranty is void and inapplicable if **DirectConnect** judges the product has been used or handled other than in accordance with instructions or standard practices, including, but not limited to damage caused by accident, mishandling, improper installation, negligence and/or has defects caused by *force majeure* or Acts of God. If the above conditions are met, the purchaser's sole remedy is to return the product to **DirectConnect**, which will replace the defective product without charge for parts or labor, and return by shipping the same by its usual shipping method at its expense within the United States of America.

THERE ARE NO OTHER WARRANTIES, INCLUDING WITHOUT LIMITATION, EITHER EXPRESS OR IMPLIED WARRANTIES OF MERCHANTABILITY OR FITNESS FOR A PARTICULAR PURPOSE WITH RESPECT TO THE PRODUCT. REPLACEMENT AS PROVIDED UNDER THIS WARRANTY IS THE EXCLUSIVE REMEDY OF THE PURCHASER. DIRECTCONNECT SHALL NOT BE RESPONSIBLE FOR ANY INCIDENTAL OR CONSEQUENTIAL DAMAGES EXCEPT TO THE EXTENT PROVIDED OR PROHIBITED BY APPLICABLE LAW.

Some states do not allow the exclusion or limitation of incidental or consequential damages, so the above limitation may not apply. This warranty gives you specific legal rights and you may also have other rights, which vary from state to state.