

*Instruction Book For  
Imager*



*The*  
**POWER** *In*  
**PRESENTATION PRODUCTS**



**DA-LITE SCREEN COMPANY, INC.**

3100 North Detroit Street  
Post Office Box 137  
Warsaw, Indiana 46581-0137  
Phone: 574/267-8101  
800-622-3737  
Fax: 574/267-7804  
[http:// www.da-lite.com](http://www.da-lite.com)  
e-mail: [info@da-lite.com](mailto:info@da-lite.com)

### LARGE WALL BRACKET (47" LONG)

Quantities vary by screen size:  
Screens smaller than 80" viewing width = 1  
Screens 80" to 96" viewing width = 2  
Screens over 96" viewing width = 3

**QUANTITY INCLUDED** \_\_\_\_\_



**Installation screws not included**

### #8 SCREW

Quantity = 32

**QUANTITY INCLUDED** \_\_\_\_\_



### SMALL WALL BRACKET (8" LONG)

Quantity = 1. Only for screens smaller than 80" viewing width.

**QUANTITY INCLUDED** \_\_\_\_\_

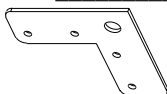


**Installation screws not included**

### L-BRACKET

Quantity = 8

**QUANTITY INCLUDED** \_\_\_\_\_



**USE INSTALLATION METHOD NUMBER** \_\_\_\_\_

## INSTALLATION

There are three methods of installation based on the size of the screen. Measure the width of the viewing area of your screen and refer to the appropriate method of installation below. The hanger bracket figure shows the type and quantity of bracket that is supplied based on the size of the screen.

Method 1: Screens smaller than 80" in viewing width.  
60", 72", 84" and 96" diagonals

Method 2: Screens 80" to 96" in viewing width.  
92", 100", 106" and 120" diagonals

Method 3: Screens over 96" in viewing width.  
119", 133", 150", and 159" diagonals

## SETTING UP YOUR SCREEN

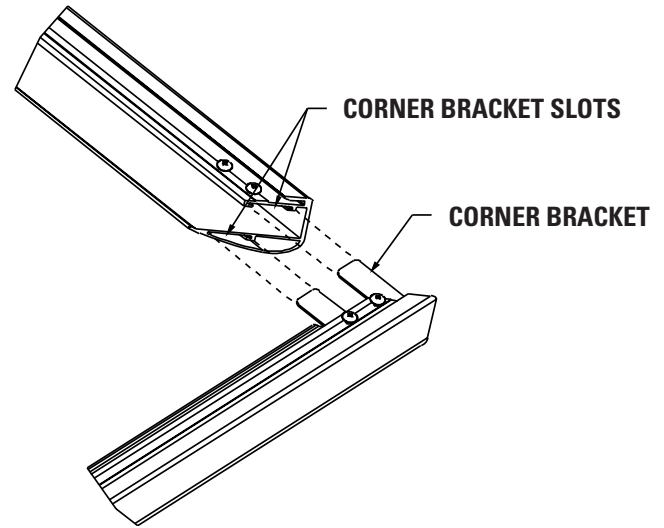
**TOOLS REQUIRED:**      **Phillips Screwdriver**  
                                 **Carpenter's Level**  
                                 **Tape Measure**

### FRAME ASSEMBLY

1. Place the four frame pieces on a clean floor. The sides with the Velcro should face up.
2. Align the corner brackets with the slots in the frame and slide the frame pieces together (Figure 1). When assembling the last frame piece, slide both ends together at the same time to avoid binding the corner brackets.
3. Push and hold the corners together and tighten the four screws at each corner. Do not over-tighten the screws.

### ATTACH THE VIEWING SURFACE

1. Place the screen on the back of the frame assembly. Start at the top of the frame and attach the screen from the center working towards the sides. Look at the screen from the viewing side to make sure the Velcro is not visible.
2. Attach the rest of the screen in the following order. Bottom, left side, right side. Stretch the screen as necessary to remove any wrinkles.

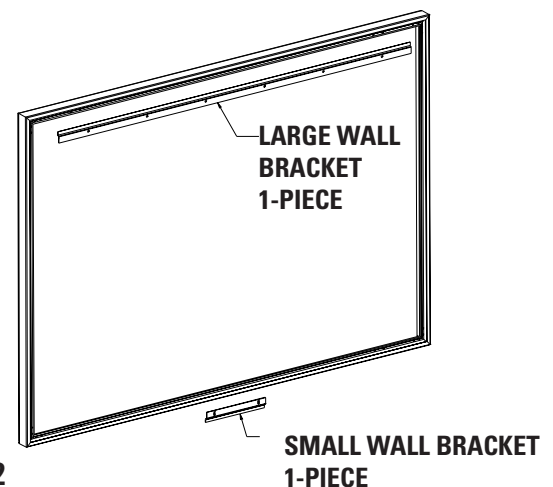


**FIGURE 1**

## METHOD 1 (60", 72", 84" AND 96" DIAGONALS)

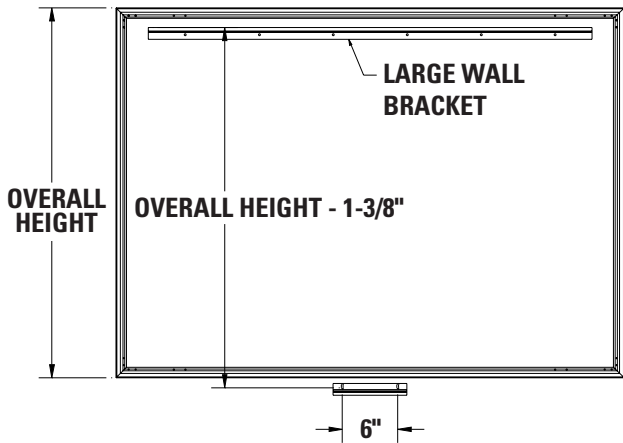
### Method 1

1. Secure the large wall bracket to wall studs at the desired height. Make sure the bracket is level. The top of the frame will be 1/8" above the top of the wall bracket when mounted. You will need at least 5/8" clearance above the bracket to hang the screen. Figures 2, 3, and 4 show the proper orientation for the supplied wall brackets.
2. To install the small wall bracket, you must measure the overall height of the screen frame and subtract 1-3/8". Using that dimension, measure down from the top edge of the wall bracket and mark the wall for two screw holes. The holes should be centered within the frame and 6" apart. Refer to Figure 3.
3. Attach the small wall bracket to the wall. Refer to Figure 4 for proper orientation. Do not tighten the screws completely. The bracket should slide up and down easily.
4. Hang the screen on the brackets by hooking the bottom of the frame onto the small wall bracket and lift up until you can hook the top of the frame on the top large bracket. Push down on the frame to seat it on the brackets. Refer to Figure 4.

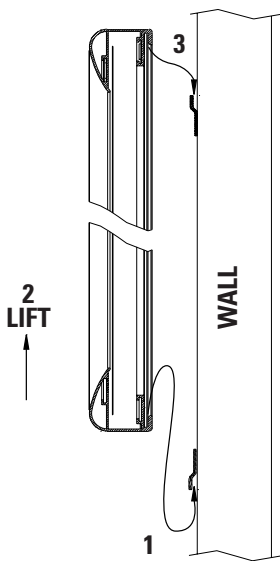


**FIGURE 2**

**METHOD 1 (60", 72", 84" AND 96" DIAGONALS)**



**FIGURE 3**

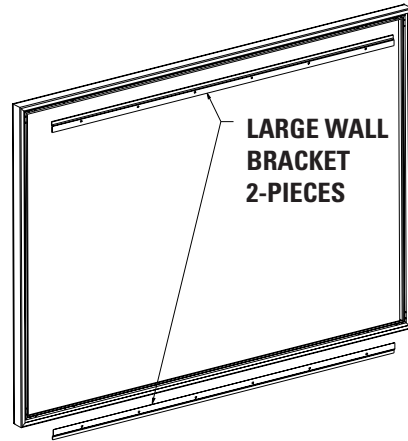


**FIGURE 4**

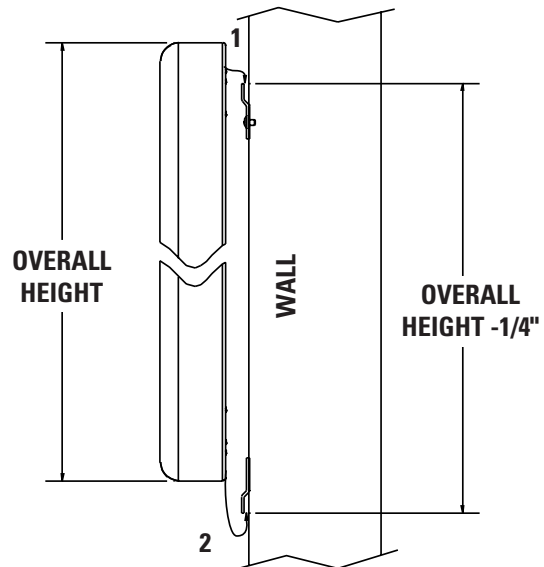
**METHOD 2 (92", 100", 106" AND 120" DIAGONALS)**

**Method 2**

1. Secure the large wall bracket to wall studs at the desired height. Make sure the large bracket is level. The top of the frame will be 1/8" above the top of the large wall bracket when mounted. You will need at least 5/8" clearance above the bracket to hang the screen. Figures 5 and 6 show the proper orientation for the supplied wall brackets.



**FIGURE 5**

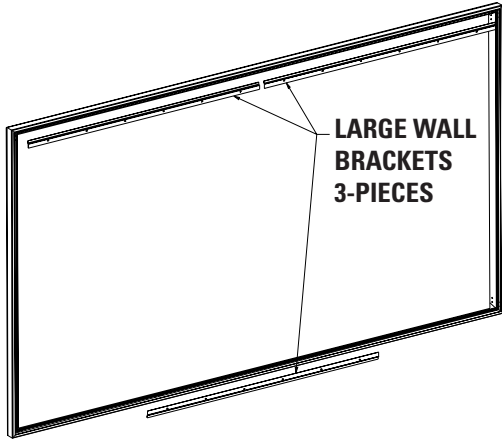


**FIGURE 6**

2. To install the lower wall bracket, you must measure the overall height of the screen frame and subtract 1/4". This is the dimension from the top of the upper wall bracket to the bottom of the lower wall bracket. See Figure 6.
3. Position the screen with the attached surface onto the top wall bracket as shown in Figure 6. Push down at the center of the bottom frame rail to hook onto the lower wall bracket.

### **METHOD 3 (119", 133", 150" AND 159" DIAGONALS)**

1. Secure the large wall brackets to wall studs at the desired height. Make sure the brackets are level. The top of the frame will be 1/8" above the top of the large wall bracket when mounted. You will need at least 5/8" clearance above the bracket to hang the screen. Figures 6 and 7 show the proper orientation for the supplied wall brackets.



**FIGURE 7**

2. To install the lower large wall bracket, you must measure the overall height of the screen frame and subtract 1/4". This is the dimension from the top of the upper large wall bracket to the bottom of the lower large wall bracket. See Figure 6.
3. Position the screen with the attached surface onto the top large wall bracket as shown in Figure 6. Push down at the center of the bottom frame rail to hook onto the lower large wall bracket.

### **CLEANING**

**Da-Tex, Dual Vision, Pearlescent, Cinema Vision, Da-Mat, High Contrast Da-Mat, Audio Vision, High Contrast Audio Vision, High Contrast Cinema Vision and High Contrast Cinema Perf** surfaces can be cleaned as follows:

Using a white clean cloth (100% cotton preferred) that is dampened with clear water, gently wipe the area in one direction. Do not use a circular motion. Using a dry 100% cotton cloth, wipe dry after each cleaning session. To clean a stubborn stain or a sticky surface, use denatured alcohol (methanol or methyl alcohol) following the same procedure as for water. For extremely stubborn stains, use V M & P, Naphtha or Super Naphtha and follow the same procedure as for water.

