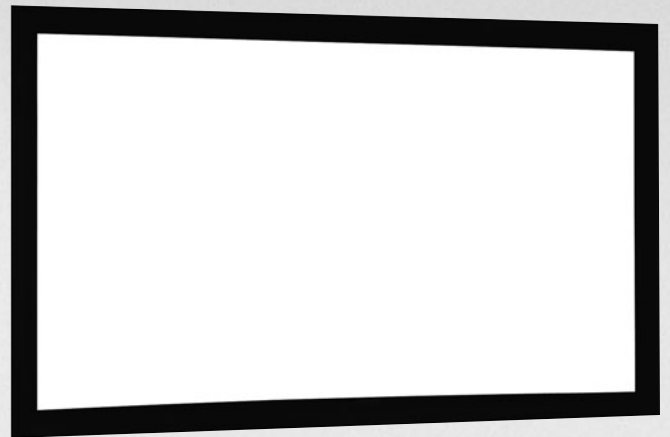


The
POWER *In*
PRESENTATION PRODUCTS



**Instruction Book for
CINEMA CONTOUR SCREEN**



DA-LITE SCREEN COMPANY, INC.

3100 North Detroit Street
Post Office Box 137
Warsaw, Indiana 46581-0137
Phone: 574/267-8101
800-622-3737
Fax: 574/267-7804
[http:// www.da-lite.com](http://www.da-lite.com)
e-mail: info@da-lite.com

LARGE WALL BRACKET (47" LONG)

Quantities vary by screen size:
 Screens smaller than 80" viewing width = 1
 Screens 80" to 96" viewing width = 2
 Screens over 96" viewing width = 3

QUANTITY INCLUDED _____

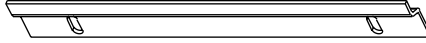


Installation screws not included

SMALL WALL BRACKET (8" LONG)

Quantity = 1. **Only for screens smaller than 80" viewing width.**

QUANTITY INCLUDED _____



Installation screws not included

#10 SCREW
QUANTITY INCLUDED _____



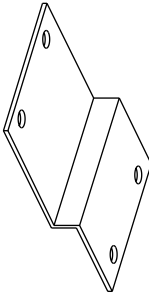
SNAP STUD
QUANTITY INCLUDED _____



HIGH POWER FRAME BRACKET

Screens with High Power quantity = 2
 Screens with 2-piece side frame rails quantity = 2

USE INSTALLATION METHOD NUMBER _____



QUANTITY INCLUDED _____

FRAME ASSEMBLY

1. Unwrap the frame pieces. Assemble frame pieces on padding material or other soft, clean surface. This will help keep the frame clean and protect it from scratches.
2. Slide the frame pieces together at corners and secure them with the eight black #10 screws provided. See Figure 1.
NOTE: The frame pieces are labeled "top" and "bottom". Be sure the frame pieces are assembled according to the labels. This will ensure the snap pattern on the frame and screen surface will match.
3. Attach the eight snap studs to the back of the frame in the predrilled holes.

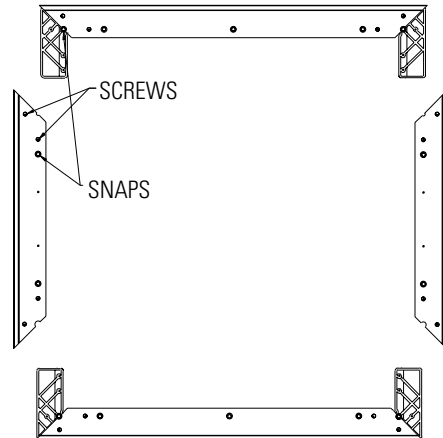


FIGURE 1 (REAR VIEW)

INSTALLATION

There are four methods of installation based on the size of the screen and type of viewing surface. Measure the width of the viewing area of your screen and refer to the appropriate method of installation below. The wall bracket diagram shows the type and quantity of bracket(s) supplied based on the size of the screen.

Method 1: Screens smaller than 80" in viewing width. 60", 72", 77", 84" and 96" viewing diagonals and less.

Method 2: Screens 80" to 96" in viewing width. 92", 100", 106" and 120" viewing diagonals.

Method 3: Screens over 96" in viewing width. 150" viewing diagonals and larger and 240" viewing diagonals for sides.

Method 4: Any size screen with High Power viewing surface.

METHOD 1 (60", 72", 77", 84" AND 96" DIAGONALS)

1. Secure the wall bracket to wall studs at the desired height. Make sure the bracket is level. The top of the frame will be 1/8" above the top of the wall bracket when mounted. You will need at least 5/8" clearance above the bracket to hang the screen. Figures 2, 3, and 4 show the proper orientation for the supplied wall brackets.

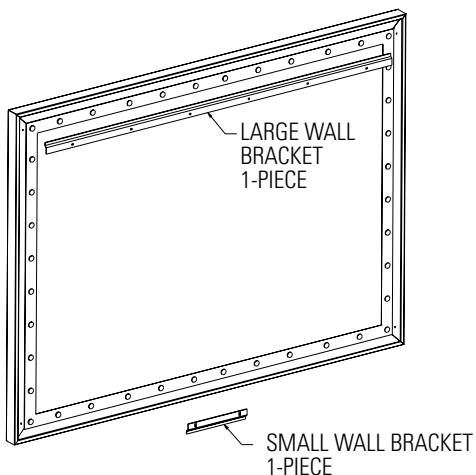


FIGURE 2

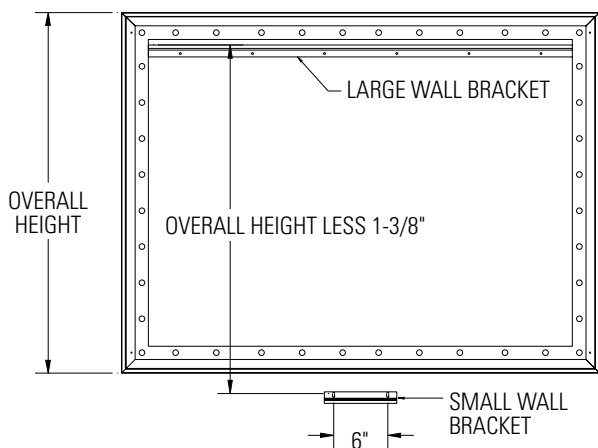


FIGURE 3

METHOD 1 (60", 72", 77", 84" AND 96" DIAGONALS)

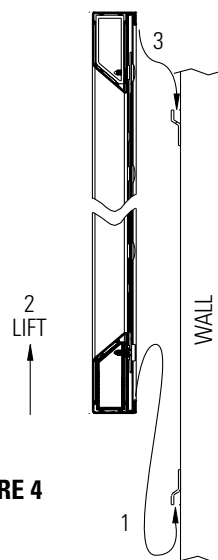


FIGURE 4

2. To install the lower wall bracket, you must measure the overall height of the screen frame and subtract 1-3/8". Using that dimension, measure down from the top edge of the wall bracket and mark the wall for two screw holes. The holes should be centered within the frame and 6" apart. Refer to Figure 3.
3. Attach the small wall bracket to the wall. Refer to Figure 4 for proper orientation. Do not tighten the screws completely. The bracket should slide up and down easily.
4. Unroll the screen on a clean surface. Do not use newspaper. The viewing side is rolled to the inside of the roll. Place the frame over the screen surface, and while lifting the frame with one hand, snap the screen surface onto the frame with the other hand while maintaining a steady pull on the surface.
5. Hang the screen on the brackets by hooking the bottom of the frame onto the lower wall bracket and lift up until you can hook the top of the frame on the top bracket. Push down on the frame to seat it on the brackets. Refer to Figure 4.

METHOD 2 (92", 100", 106" AND 120" DIAGONALS)

1. Secure the wall bracket to wall studs at the desired height. Make sure the bracket is level. The top of the frame will be 1/8" above the top of the wall bracket when mounted. You will need at least 5/8" clearance above the bracket to hang the screen. Figure 5 and 6 show the proper orientation for the supplied wall brackets.

FIGURE 5

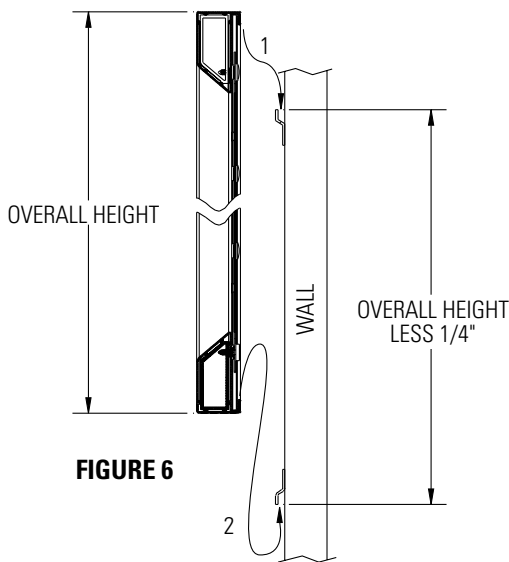
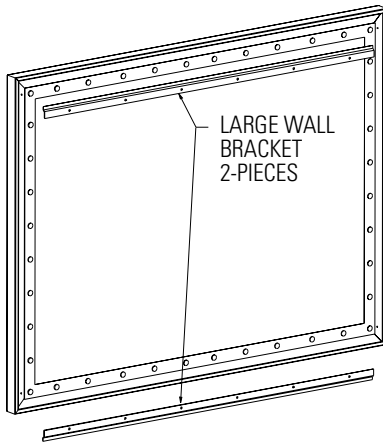


FIGURE 6

2. To install the bottom large wall bracket, you must measure the overall height of the screen frame and subtract 1/4". This is the dimension from the top of the upper wall bracket to the bottom of the bottom wall bracket. See Figure 6.
3. Unroll the screen on a clean surface. Do not use newspaper. The viewing side is rolled to the inside of the roll. Place the frame over the screen surface, and while lifting the frame with one hand, snap the screen surface onto the frame with the other hand while maintaining a steady pull on the surface.
4. Position the screen with the attached surface onto the top wall bracket as shown in Figure 6. Push down at the center of the bottom frame rail to hook onto the lower wall bracket.

METHOD 3 (150" DIAGONAL AND LARGER, 240" VIEWING DIAGONALS FOR SIDES)

1. Secure the wall brackets to wall studs at the desired height. Make sure the brackets are level. The top of the frame will be 1/8" above the top of the wall bracket when mounted. You will need at least 5/8" clearance above the bracket to hang the screen. Figure 6 and 7 show the proper orientation for the supplied wall brackets.

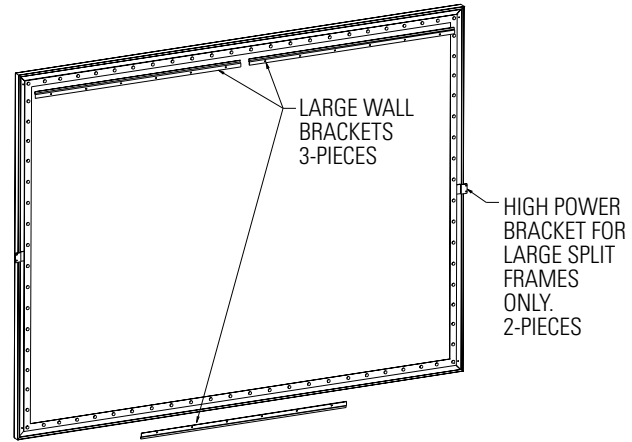


FIGURE 7

2. To install the bottom large wall bracket, you must measure the overall height of the screen frame and subtract 1/4". This is the dimension from the top of the upper wall bracket to the bottom of the lower wall bracket. See Figure 6.
3. Some large screen sizes (240") are made with 2-piece side frame rails. For this type of frame you will need to attach one High Power bracket to each side at the joint. Use the black #10 screws supplied. See Figure 7.
4. Unroll the screen on a clean surface. Do not use newspaper. The viewing side is rolled to the inside of the roll. Place the frame over the screen surface, and while lifting the frame with one hand, snap the screen surface onto the frame with the other hand while maintaining a steady pull on the surface.
5. Position the screen with the attached surface onto the top wall bracket as shown in Figure 6. Push down at the center of the bottom frame rail to hook onto the lower wall bracket.
6. If you attached brackets to the side frame rails in step 3, anchor these to the wall with an appropriate fastener for your type of wall.

METHOD 4 (HIGH POWER)

1. Secure the large wall bracket to wall studs at the desired height. Make sure the bracket is level. The top of the frame will be 1/8" above the top of the wall bracket when mounted. You will need at least 5/8" clearance above the bracket to hang the screen. See Figure 8.

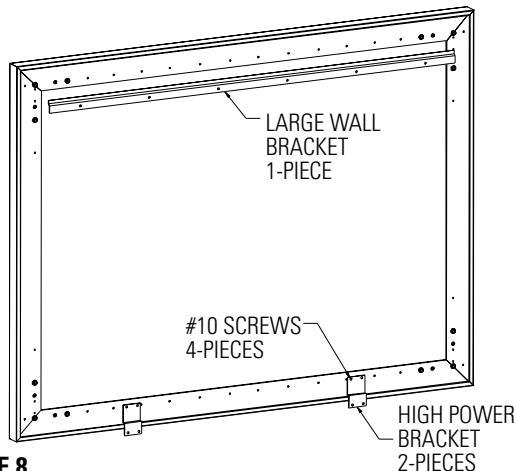


FIGURE 8

2. Attach two High Power brackets to the bottom frame rail as shown in Figure 8. use the black #10 screws supplied.
3. Unroll the screen on a clean surface. Do not use newspaper. The viewing side is rolled to the inside of the roll. Place the frame over the screen surface, and while lifting the frame with one hand, snap the screen surface onto the frame with the other hand while maintaining a steady pull on the surface.
4. Position the screen with the attached surface onto the top wall bracket as shown in Figure 6. Push down at the center of the bottom frame rail to tension the fabric. Mark the screw holes for the bottom brackets. Drill holes in wall and attach the brackets to the wall with screws.

CLEANING

Da-Tex, Dual Vision, Pearlescent, Cinema Vision, High Power, Da-Mat, High Contrast Da-Mat, Audio Vision, High Contrast Audio Vision, High Contrast Cinema Vision and High Contrast Cinema Perf surfaces can be cleaned as follows:

Using a white clean cloth (100% cotton preferred) that is dampened with clear water, gently wipe the area in one direction. Do not use a circular motion. Using a dry 100% cotton cloth, wipe dry after each cleaning session. To clean a stubborn stain or a sticky surface, use denatured alcohol (methanol or methyl alcohol) following the same procedure as for water. For extremely stubborn stains, use V M & P, Naphtha or Super Naphtha and follow the same procedure as for water.

