

# Arlington Industries, Inc.

1 Stauffer Ind. Park - Scranton, Pa. 18517  
800-233-4717 Fax : 570-562-0646  
www.aifittings.com - E-MAIL : sales @ aifittings.com  
Manufacturers of Quality Electrical Products

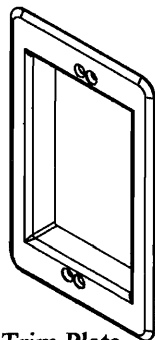
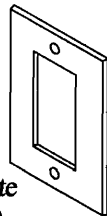


## LVU1 Single Gang Recessed Low Voltage Mounting Bracket

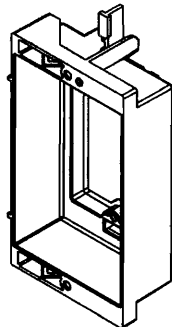
### Contents:

- (2) #6 x 3/4" Long Painted Screws (For Trim Plate)
- (2) #8 x 3" Long L.V. Bracket Holding Screws
- (2) Knock Out Plates
- (1) Low Voltage Bracket
- (1) Trim Plate
- (1) Device Cover Plate

Device  
Cover Plate  
(Included)



Trim Plate



Low Voltage Bracket



- (2) #8 X 3" Long Screw  
L.V. Bracket Holding Fastener



- (2) #6-32 X 3/4" Long Screw  
Trim Plate Fastener



- (2) Knock Out Plates

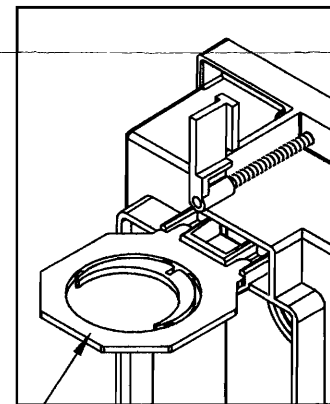
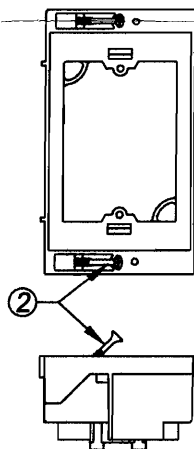
www.AV-Outlet.com

If you have any questions or if parts are missing from your Low Voltage Mounting Bracket, Please call our Customer Service Department at 1-800-233-4717. Do not call or return this product to your local store or distributor.

### Installation Instructions:

#### For NEW Construction:

1. Attach Knock Out Plate if Required to Attach Raceway (See Illustration at Right).
2. Mount Low Voltage Bracket to Stud with Bracket position allowing for Wall Finish Thickness, with (2) #8 x 3" long Screws (See Illustration at Left).
3. Tie Off Wire.
4. After Wall Surface is Added, Attach Trim Plate with (2) #6 x 3/4" long Screws.
5. Wire in Device and Install Device Cover Plate.



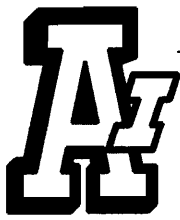
Installed Knock Out Plate

#### For EXISTING Construction:

1. Attach Trim Plate to Low Voltage Bracket, using (2) #6 x 3/4" long Screws.
2. Cut 3-3/8" Wide x 6" High Hole In Finished Wall to Mount Low Voltage Mounting Bracket.
3. Pull Wire and Install Low Voltage Mounting Bracket in Opening by Tightening the 'Flag' Screws through the Trim Plate.
4. Wire in Device and Install Device Cover Plate.

NOTE: All Wiring Must be According to NEC, State and Local Codes.

The manufacturer and distributor warrant this product for material and workmanship only, and shall not be liable for any special incident or consequential damages or for damages or loss caused by improper use or installation.



# Arlington Industries, Inc.

1 Stauffer Ind. Park - Scranton, Pa. 18517  
800-233-4717 Fax : 570-562-0646  
www.aifittings.com - E-MAIL : sales @ aifittings.com  
Manufacturers of Quality Electrical Products

LVU2 / 2 GANG  
LVU3 / 3 GANG  
LVU4 / 4 GANG




## LVU2 , LVU3 & LVU4 Recessed Low Voltage Mounting Bracket

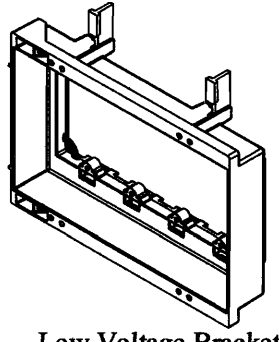
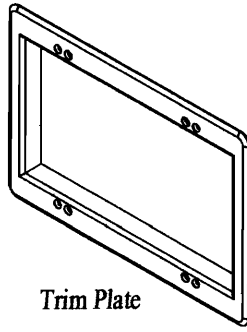
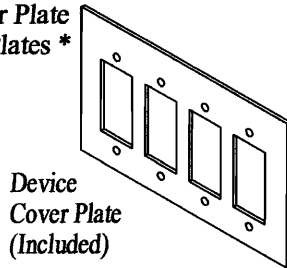
### Contents:


- (4) #6 x 1/2" Long Painted Screws (For Trim Plate)
- (2) #8 x 3" Long L.V. Bracket Holding Screws
- (1) Low Voltage Bracket
- (1) Trim Plate
- (1) Device Cover Plate
- (1) Knock Out Plates \*

www.AV-Outlet.com

-  (2) #8 X 3" Long Screw  
L.V. Bracket Holding Fastener

-  (4) #6-32 X 1/2" Long Screw  
Trim Plate Fastener



- 
- \* (2) Knock Out Plates included with LVU2
- (3) Knock Out Plates included with LVU3
- (4) Knock Out Plates included with LVU4

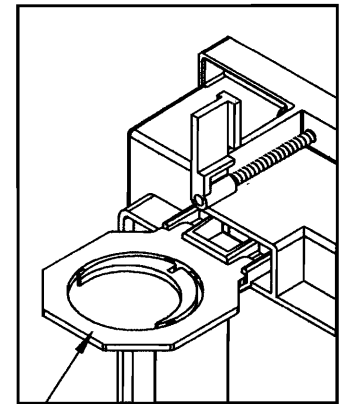
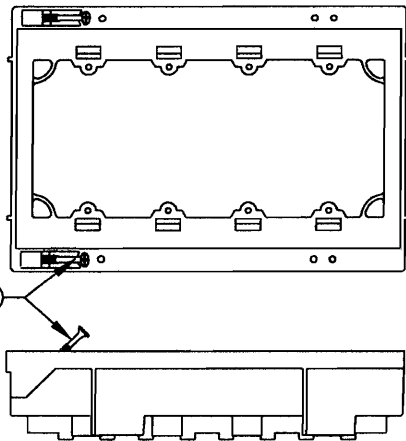
NOTE: LVU4 / 4 Gang Shown In Illustration

If you have any questions or if parts are missing from your Low Voltage Mounting Bracket, Please call our Customer Service Department at 1-800-233-4717. Do not call or return this product to your local store or distributor.

### Installation Instructions:

#### For NEW Construction:

1. Attach Knock Out Plate if Required to Attach Raceway (See Illustration at Right).
2. Mount Low Voltage Bracket to Stud with Bracket position Allowing For Wall Finish thickness, with (2) #8 x 3" long Screws (See Illustration at Left).
3. Tie Off Wire.
4. After Wall Surface is Added, attach Trim Plate With (4) #6 x 1/2" long Screws.
5. Wire in Device and Install Device Cover Plate.



Installed Knock Out Plate

#### For EXISTING Construction:

1. Attach Trim Plate to Low Voltage Bracket, using (4) #6 x 1/2" long Screws.
2. Cut Required Size Hole In Finished Wall to Mount Low Voltage Mounting Bracket; LVU2 : 5-1/4" Wide x 6" High / LVU3: 7-1/8" Wide x 6" High / LVU4: 9" Wide x 6" High.
3. Pull Wire and Install Low Voltage Mounting Bracket in Opening by Tightening the 'Flag' Screws through the Trim Plate.
4. Wire in Device and Install Device Cover Plate.

NOTE: All Wiring Must be According to NEC, State and Local Codes.

The manufacturer and distributor warrant this product for material and workmanship only, and shall not be liable for any special incident or consequential damages or for damages or loss caused by improper use or installation.