



Arlington Industries, Inc.

1 Stauffer Ind. Park - Scranton, Pa. 18517

800-233-4717 Fax: 570-562-0646

www.aifittings.com - E-MAIL: sales@aifittings.com

Manufacturers of Quality Electrical Products

WARNING: TURN OFF POWER AT MAIN PANEL BOX

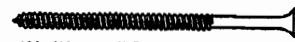
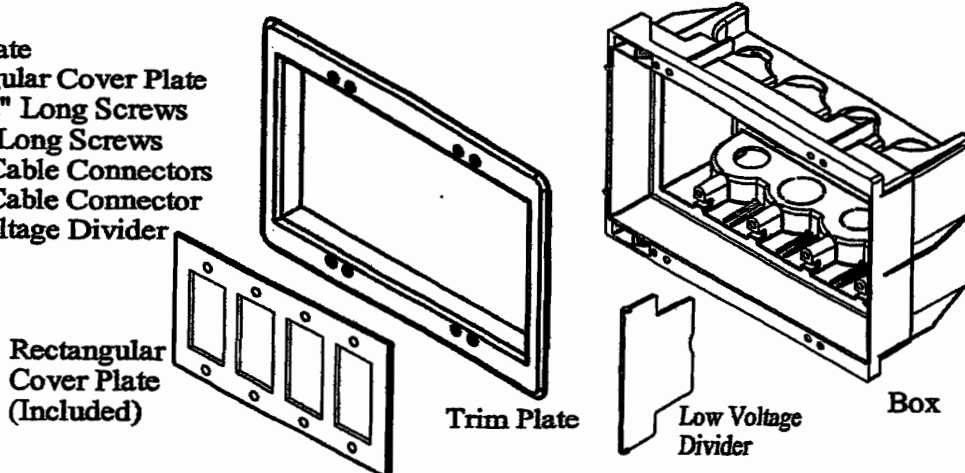


Installation Instructions For : DVFR4

Listed for Use for Power and Low-Voltage Applications for New or Existing Construction
(Such as Antenna, Phone and Cable TV)

Contents:

- (1) Box
- (1) Trim Plate
- (1) Rectangular Cover Plate
- (4) #6 x 1/2" Long Screws
- (2) #8 x 3" Long Screws
- (2) NM94 Cable Connectors
- (1) NM95 Cable Connector
- (1) Low Voltage Divider



(2) #8 X 3" Long Screw
Box Holding Fastener



(4) #6-32 X 1/2" Long Screw
Trim Plate Fastener



(2) NM94 Cable Connector



(1) NM95 Cable Connector

If you have any questions or if parts are missing from your DVFR4, Please call our Customer Service Department at 1-800-233-4717. Do not call or return this product to your local store or distributor.

For NEW Construction:

1. Insert (2) #8 x 3" Long Screws Through Angled Holes Located In Outer Section of Box (See Sketch).
2. Mount Box Section to Stud with Box Position Allowing For Wall Finish Thickness.
 - Install NM Cable Connector.
 - Pull Wires.
3. Install Low Voltage Divider If Low & High Voltage is to be Used.
4. After Wall Surface is Complete, Wire Receptacle, Low-Voltage Devices and Attach Trim Plate and Cover Plate.
5. Tighten (4) 'Flag' Screws.

For EXISTING Construction:

1. Attach Trim Plate to Box, using (4) #6 x 1/2" long Screws.
2. Cut 9" Wide x 6-1/8" High Hole In Finished Wall Surface.
3. Pull Wire and Install Wires into Box.
4. Install Low Voltage Divider If Low & High Voltage is to be Used.
5. Install DVFR4 in Opening by Tightening the 'Flag' Screws through the Trim Plate.
6. Wire Receptacle, Low-Voltage Devices and Attach Cover Plate

WARNING: Make sure power is OFF at main panel box before installing.
NOTE: All Wiring Must be According to NEC, State and Local Codes.

